

SYSTEM INFORMATION

PROJECT / ORDER NUMBER:	420458
PROJECT SITE NAME:	ALDINGA SCHOOL – ALDINGA, SA 5173
SYSTEM DESCRIPTION:	SOLAR GRID PROTECTION WITH easYprotec RELAY
CUSTOMER NAME:	WESTSIDE ENERGY (SA) PTY LTD
SPECIFIED BY:	VIHAR DOSHI

TABLE OF CONTENTS

SHEET	DESCRIPTION
1	CONTENTS
2	LEGEND
3	BILL OF MATERIAL
4	SLD
5	SCHEMATIC

SECONDARY PROTECTION RELAY SETTINGS (SA POWER NETWORKS)

ITEM	FUNCTION DESCRIPTION	SETTING	DELAY TIME (S)
1	OVER VOLTAGE	260V	2
2	UNDER VOLTAGE	180V	2
3	OVER FREQUENCY	52 Hz	2
4	UNDER FREQUENCY	47 Hz	2
5	ROCOF	4 Hz/s	0.25
6	SUSTAINED OVER VOLTAGE (10 MIN AVG.)	258V	0
7	RECONNECTION DELAY	N/A	60



PM CONTROL SYSTEMS (AUST) PTY LTD
 UNIT 1, 1 WIREGA AVE, KINGSGROVE, NSW 2208
 PHONE: +61 (0)2 9758 2322
 EMAIL: SYDNEY@PMCONTROL.COM.AU

REV	NOTES	DRAWN	CHECKED	DATE
B	AS BUILT: NO CHANGES.	SG		2021-09-06
A	REVISED ARRANGEMENT FOR AS61439 COMPLIANCE.	MD	-	2021-08-31
C	AS INSTALLED: METER CHANGED TO WATTWATCHERS, & OUTPUT WIRED AS RELEVANT AGENT FOR DISCONNECTION.	KP	MD	2021-11-26

CONTENTS SOLARTUNE PVDB – ALDINGA SCHOOL – ALDINGA, SA 5173		THIRD ANGLE PROJECTION	PROJECT ENGINEER MARTIN DILLICH	PART NO. ST-1002	PROJECT NO. 420458	REV C
UNLESS OTHERWISE SPECIFIED, ALL DIMENSIONS ARE MILLIMETERS. SCALE : N.T.S			SHEET 01			

SYMBOL LEGEND

	SINGLE-POLE MCB		CURRENT TRANSFORMERS
	THREE-POLE MCB		GENERAL PURPOSE OUTLET (GPO)
	CONTACTOR, THREE-POLE		TERMINAL (2-CONDUCTOR)
			TERMINAL (3-CONDUCTOR)
			TERMINAL (4-CONDUCTOR)
	FUSE		TERMINAL BLOCKS, TIED/JUMPERED
	RELAY COIL		TERMINAL BLOCK WITH KNIFE DISCONNECT AND TEST KNIFE FOR 4MM BANANA PLUG
	AUXILIARY CONTACTS: NORMALLY OPEN NORMALLY CLOSED FORM C (CHANGEOVER)		TERMINALS, 2-WAY SLIDE-DISCONNECT E.G. CONNECTWELL CDTTUSH
	TIMER RELAY COIL (ON-DELAY)		EARTHED CONNECTION POINT
	TIMER RELAY COIL (OFF-DELAY)		ISOLATOR
	415VAC WIRE PHASE L1 (RED) OR FIBRE CABLE		CABLE SHIELD OR SCREEN
	415VAC WIRE PHASE L2 (WHITE)		WIRES, SEPARATED / NOT JOINED
	415VAC WIRE PHASE L3 (BLUE)		WIRES JOINED
	415VAC WIRE NEUTRAL (BLACK) OR OTHER CONDUCTOR OR MULTICORE CABLE		RCBO
	+24Vdc (ORANGE)		LAMP
	DC COMMON (BROWN)		REV CLOUD: CHANGES TO PANEL DESIGN
	TWISTED PAIR(S) CABLE (e.g. FOR RS-485)		
	CAT-5/5e/6 COMMUNICATION CABLE		



PM CONTROL SYSTEMS (AUST) PTY LTD
 UNIT 1, 1 WIREGA AVE, KINGSGROVE, NSW 2208
 PHONE: +61 (0)2 9758 2322
 EMAIL: SYDNEY@PMCONTROL.COM.AU

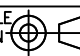
REV	NOTES	DRAWN	CHECKED	DATE
B	AS BUILT: NO CHANGES.	SG		2021-09-06
A	REVISED ARRANGEMENT FOR AS61439 COMPLIANCE.	MD	-	2021-08-31
C	AS INSTALLED: METER CHANGED TO WATTWATCHERS, & OUTPUT WIRED AS RELEVANT AGENT FOR DISCONNECTION.	KP	MD	2021-11-26

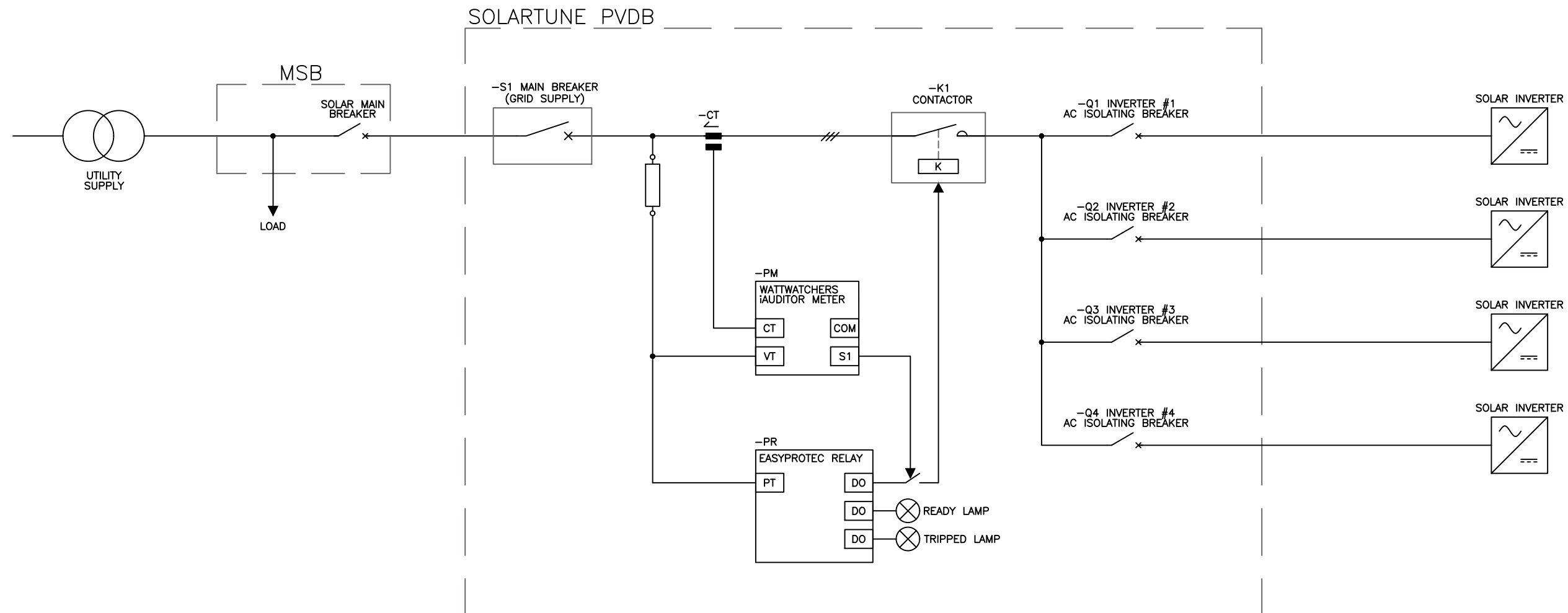
LEGEND				
SOLARTUNE PVDB - ALDINGA SCHOOL - ALDINGA, SA 5173				
THIRD ANGLE PROJECTION	PROJECT ENGINEER MARTIN DILLICH	PART NO. ST-1002	PROJECT NO. 420458	REV C
UNLESS OTHERWISE SPECIFIED, ALL DIMENSIONS ARE MILLIMETERS. SCALE : N.T.S				
			SHEET 02	

BILL OF MATERIALS					
QTY	DEVICE TAG	DEVICE NAME	DEVICE SPECIFICATION	MANUFACTURER	PART NO. OR NOTES
1	-Q0	MAIN BREAKER	250A, 3P	LEGRAND	DPX ³ 250
4	-K1	CONTACTOR	210A, 3P	LEGRAND	4 162 66
1	-PR	PROTECTION RELAY	EASYPROTEC	WOODWARD	
3	-F1, -F2, -F3	FUSE	10A		
4	-Q1, -Q2, -Q3, -Q4	MCB, INVERTER ISOLATING BREAKER	63A, 3P	LEGRAND	
2	-QM1, -QM5	MCB	6A, 3P	LEGRAND	
3	-QM2, -QM3, -QM4	MCB	6A, 1P	LEGRAND	
1	-R1	AUX RELAY	24V DC	PHOENIX CONTACT	
2	-H1, -H2	INDICATING LAMP	24V DC		
1	-PS	DC SUPPLY	24V DC	PHOENIX CONTACT	
3	-CT	CT SET, 3-IN-1	TBD	WATTWATCHER	
1	-PM	POWER METER		WATTWATCHER	AUDITOR 6M + 3SW
1	FAN ASSEMBLY				
1	-TH	THERMOSTAT			
2		GRILL			


 PM CONTROL SYSTEMS (AUST) PTY LTD
 UNIT 1, 1 WIREGA AVE, KINGSGROVE, NSW 2208
 PHONE: +61 (0)2 9758 2322
 EMAIL: SYDNEY@PMCONTROL.COM.AU

REV	NOTES	DRAWN	CHECKED	DATE
B	AS BUILT: NO CHANGES.	SG		2021-09-06
A	REVISED ARRANGEMENT FOR AS61439 COMPLIANCE.	MD	-	2021-08-31
C	AS INSTALLED: METER CHANGED TO WATTWATCHERS, & OUTPUT WIRED AS RELEVANT AGENT FOR DISCONNECTION.	KP	MD	2021-11-26

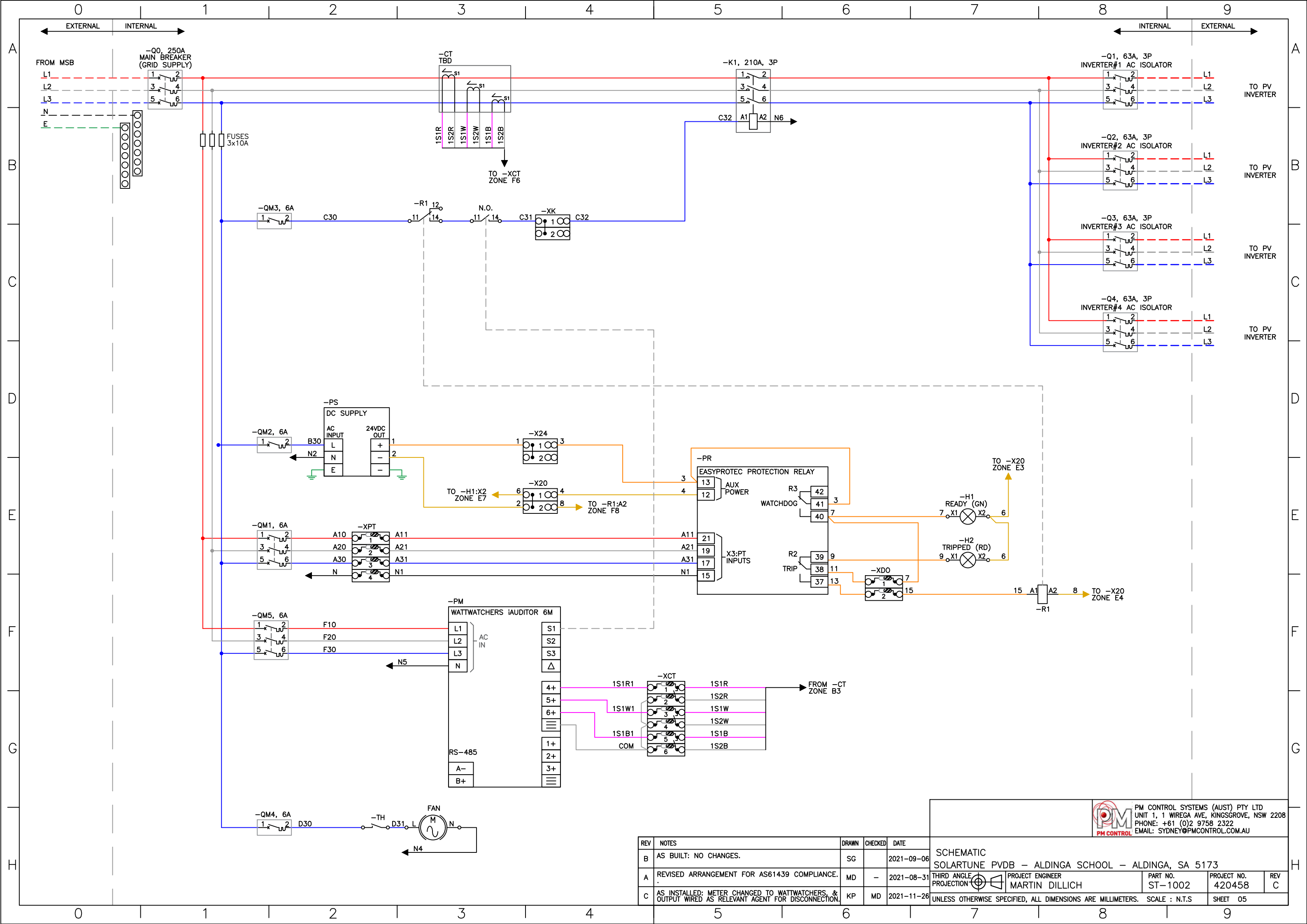
BOM			
SOLARTUNE PVDB - ALDINGA SCHOOL - ALDINGA, SA 5173			
THIRD ANGLE PROJECTION 	PROJECT ENGINEER MARTIN DILLICH	PART NO. ST-1002	PROJECT NO. 420458
UNLESS OTHERWISE SPECIFIED, ALL DIMENSIONS ARE MILLIMETERS. SCALE : N.T.S		SHEET	03



PM CONTROL SYSTEMS (AUST) PTY LTD
 UNIT 1, 1 WIREGA AVE, KINGSGROVE, NSW 2208
 PHONE: +61 (0)2 9758 2322
 EMAIL: SYDNEY@PMCONTROL.COM.AU

REV	NOTES	DRAWN	CHECKED	DATE
B	AS BUILT: NO CHANGES.	SG		2021-09-06
A	REVISED ARRANGEMENT FOR AS61439 COMPLIANCE.	MD	-	2021-08-31
C	AS INSTALLED: METER CHANGED TO WATTWATCHERS, & OUTPUT WIRED AS RELEVANT AGENT FOR DISCONNECTION.	KP	MD	2021-11-26

SLD SOLARTUNE PVDB - ALDINGA SCHOOL - ALDINGA, SA 5173		THIRD ANGLE PROJECTION	PROJECT ENGINEER MARTIN DILLICH	PART NO. ST-1002	PROJECT NO. 420458	REV C
UNLESS OTHERWISE SPECIFIED, ALL DIMENSIONS ARE MILLIMETERS. SCALE : N.T.S				SHEET	04	



REV	NOTES	DRAWN	CHECKED	DATE
B	AS BUILT: NO CHANGES.	SG		2021-09-06
A	REVISED ARRANGEMENT FOR AS61439 COMPLIANCE.	MD		2021-08-31
C	AS INSTALLED: METER CHANGED TO WATTWATCHERS, & OUTPUT WIRED AS RELEVANT AGENT FOR DISCONNECTION.	KP	MD	2021-11-26

SCHEMATIC
SOLARTUNE PVDB - ALDINGA SCHOOL - ALDINGA, SA 5173

THIRD ANGLE PROJECTION

PROJECT ENGINEER
MARTIN DILLICH

PART NO.
ST-1002

PROJECT NO.
420458

REV
C

UNLESS OTHERWISE SPECIFIED, ALL DIMENSIONS ARE MILLIMETERS. SCALE : N.T.S. SHEET 05

PM CONTROL SYSTEMS (AUST) PTY LTD
 UNIT 1, 1 WIREGA AVE, KINGSGROVE, NSW 2208
 PHONE: +61 (0)2 9758 2322
 EMAIL: SYDNEY@PMCONTROL.COM.AU